

Ferrite Cores

CR, CRS, SY, T Series

For Audio-Visual, TV, & Radio Equipment
For CRT Display

MATERIAL CHARACTERISTICS

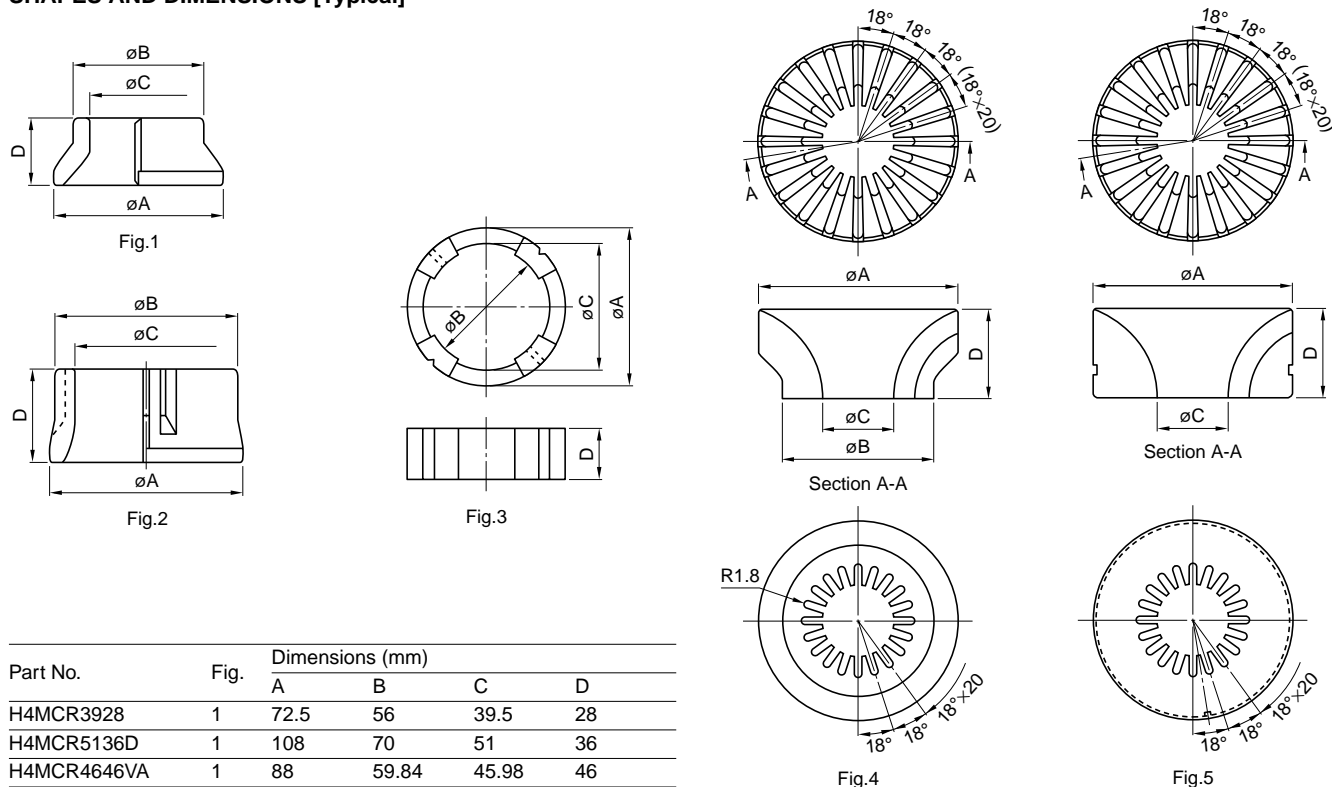
Material				H4M	H4H	H4L	DA6	
Initial permeability	μ				320±25%	450±25%	500±25%	750±25%
Saturation magnetic flux density* [H = 1194A/m]	B_s	mT	[23°C] [100°C]	210 150	270 180	240 150	330 230	
Remanent flux density*	B_r	mT		150	210	180	220	
Coercive force*	H_c	A/m	[23°C] [100°C]	40 28	30 13	24 8	28 16	
Curie temperature	T_c	°C		> 150	> 150	> 135	> 150	
Electrical resistivity*	ρ_v	$\Omega \cdot m$		10^5	10^4	10^5	10^5	
Density*	d_b	kg/m ³		4.4×10^3	4.6×10^3	4.7×10^3	5×10^3	
Thermal conductivity*	χ	W/(m • °C)		3.2	3.3	3.3	3.4	
Magnetostriction*	λ_s			-2.6×10^{-6}	-2.6×10^{-6}	-2.6×10^{-6}	-4.5×10^{-6}	
Application				TV	Large TV HDTV, EDTV	Display	High resolution	

* Average value

• The values were obtained with toroidal cores at room temperature unless otherwise shown.

• 1(mT): 10(gauss), 1(A/m): 0.012566(Oersted)

SHAPES AND DIMENSIONS [Typical]



Part No.	Fig.	Dimensions (mm)			
		A	B	C	D
H4MCR3928	1	72.5	56	39.5	28
H4MCR5136D	1	108	70	51	36
H4MCR4646VA	1	88	59.84	45.98	46
H4LCR4648H	1	84.14	61	46	48
H4MSYF3138-20	4	82.55	63	30.48	38.1
H4MSY3138-20	5	82.55	82.55	30.48	38.1
H4MCRS4228	2	56	53	42	27.5
H4MT41×13×31	3	41.8	31.3	33.5	13.5

