

RF Components

Dielectric Filters

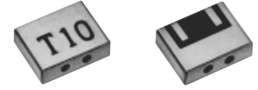
SMD

CF Series, CF61A1001B

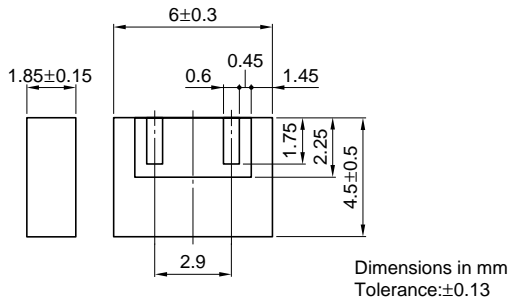
DECT

FEATURES

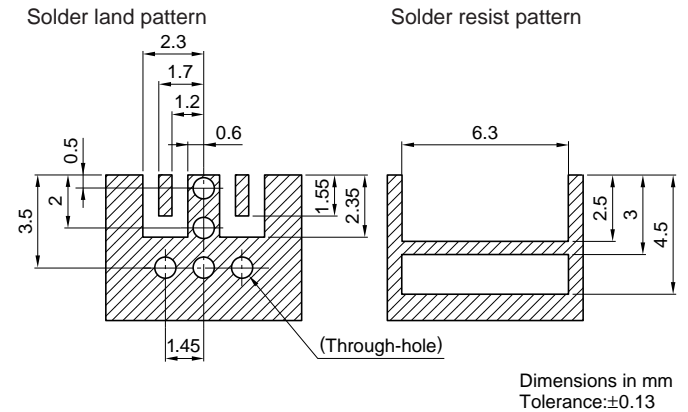
- Compact and high performance 2-pole filter.
- High reliability(Ceramic block filter).
- SMD type.



SHAPES AND DIMENSIONS



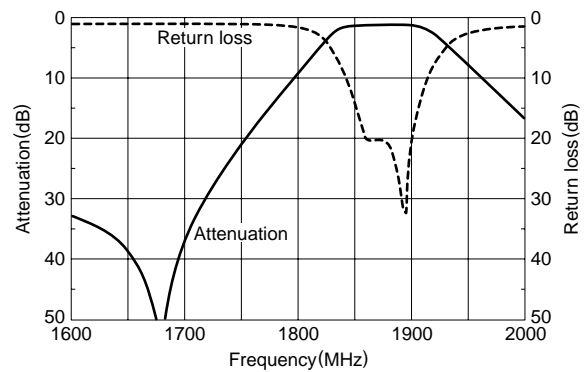
RECOMMENDED PC BOARD AND RESIST PATTERNS



ELECTRICAL CHARACTERISTICS

Part No.	CF61A1001B
Center frequency	1890MHz
Band width	20MHz
Insertion loss	1.5dB max.
Ripple	0.5dB max.
Return loss	10dB min.
Attenuation[1660 to 1680MHz]	36dB min.

TYPICAL ELECTRICAL CHARACTERISTICS FREQUENCY CHARACTERISTICS



PACKAGING STYLE AND QUANTITIES

Packaging style	Quantity
Taping	1500 pieces/reel

